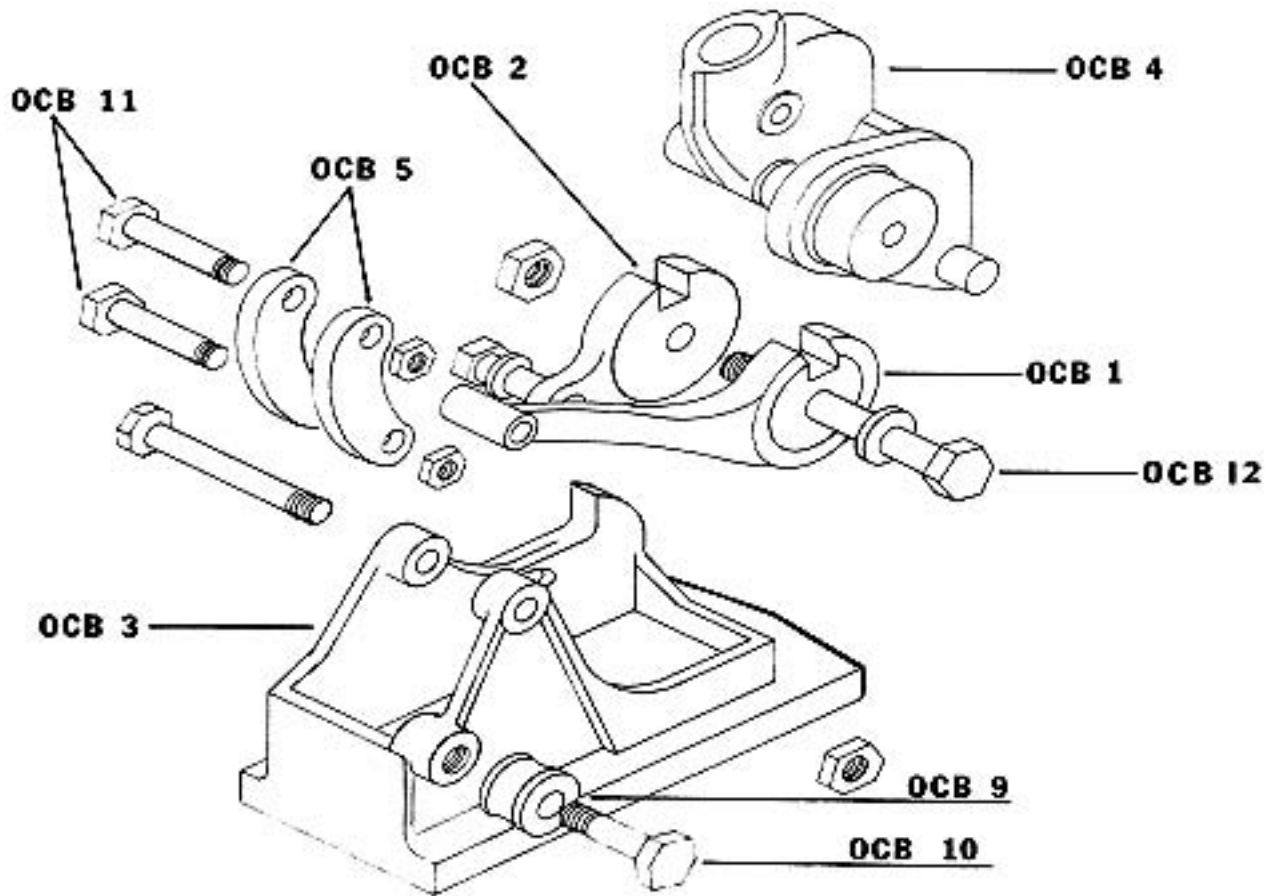




Tolman Tool Manufacturing, Inc.

1256 W. First Street, Pomona, CA 91766
 Tel (800) 233-4437 - Fax (909) 629-5762
 www.tolmantool.com

Open Cutter/Bender Parts Chart



| | |
|--------|--------------------|
| OCB 1 | Long Arm Cutter |
| OCB 2 | Short Arm Cutter |
| OCB 3 | Housing |
| OCB 4 | Bender Casting |
| OCB 5 | Link Set (2 pcs.) |
| OCB 6 | Handle Clip |
| OCB 7 | Handle |
| OCB 8 | Board |
| OCB 9 | Roller |
| OCB 10 | Roller Bolt |
| OCB 11 | Link Bolt (each) |
| OCB 12 | Main Bolt Assembly |